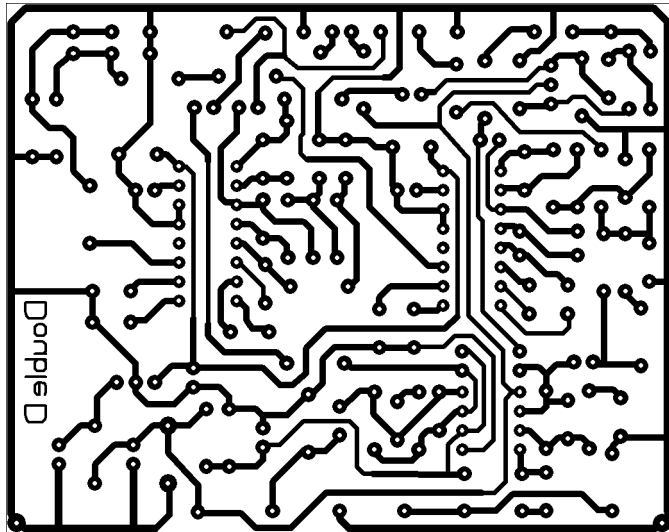


Double D v2.0 (Verificado)

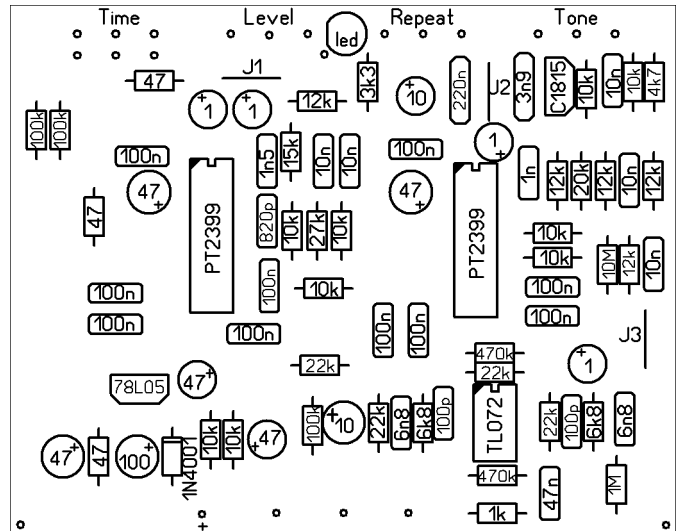
Delay 800ms

(By FerMus)

13abr2014



8.8 x 7.0 cms.



Bill of Mats

Resistor

3	47 ohms
1	1k
1	3.3k
1	4.7k
2	6.8k
9	10k
5	12k
1	15k
1	20k
4	22k
1	27k
3	100k
2	470k
1	1M
1	10M

Capacitor

4	1 uF elec
2	10 uF
5	47 uF
1	100 uF
2	100pF
1	820pF
1	1 nF
1	1.5 nF
1	3.9 nF
2	6.8 nF
5	10 nF
1	47 nF
10	100 nF
1	220 nF

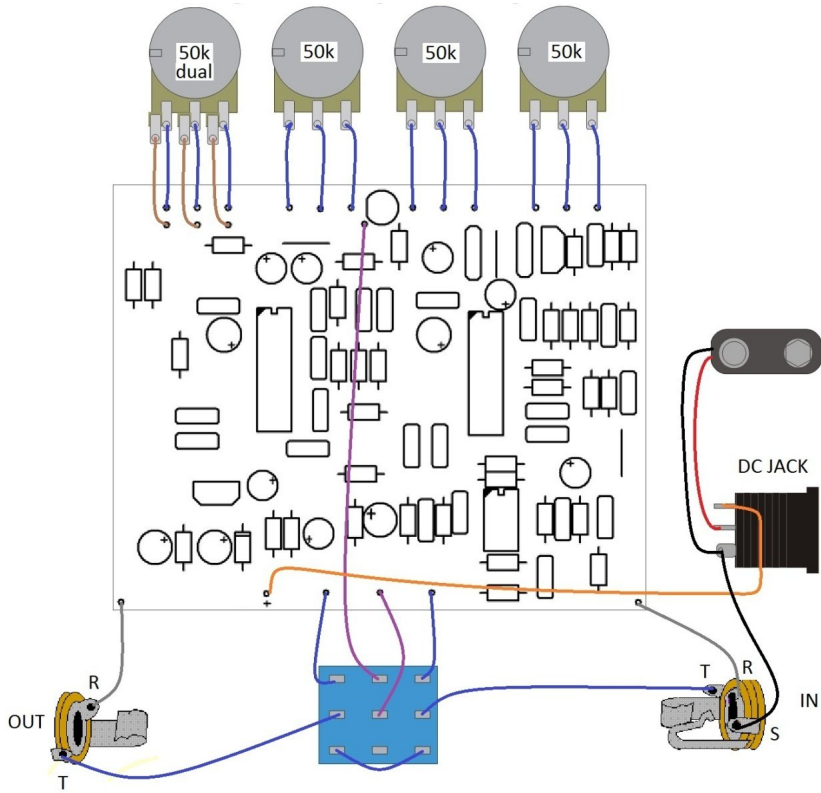
Semiconductor

2	PT2399
1	TL072
1	78L05
1	1N4001
1	C1815
1	LED

Potenciometer

3	50k Lin
1	50k Lin Dual

TRUE BYPASS



TAIL SWITCH

